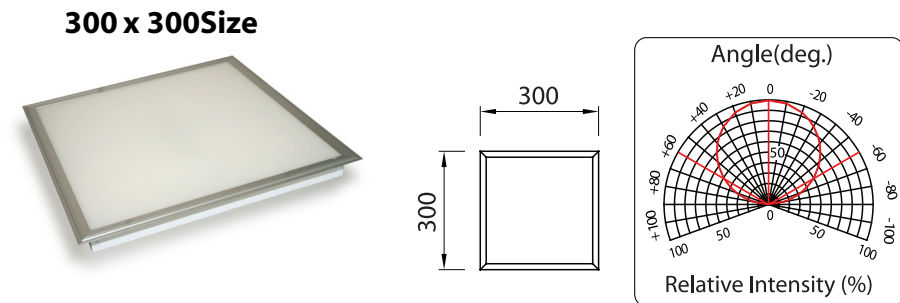
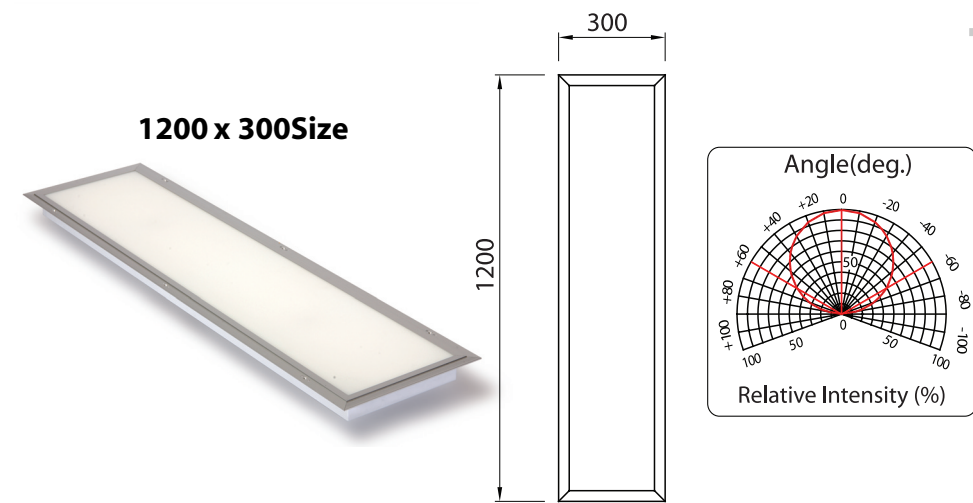
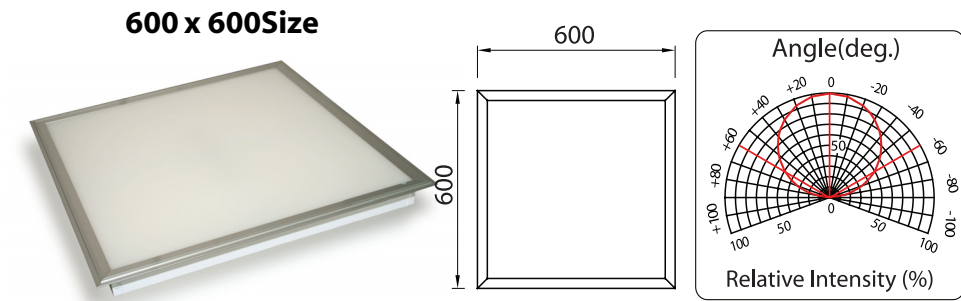


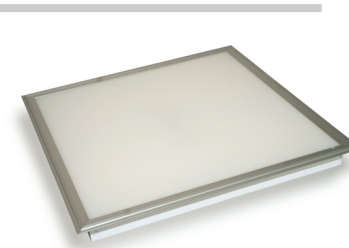
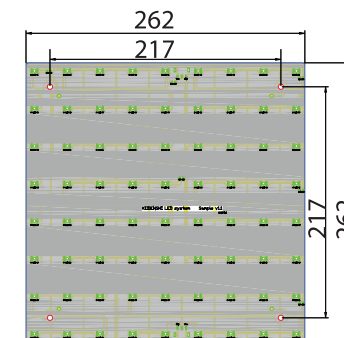
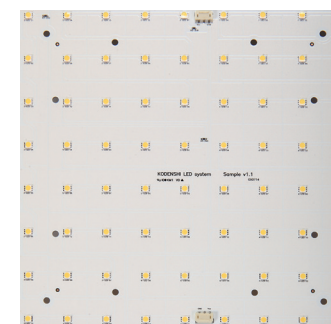
PANEL LIGHTING

ITEM	600 x 600Size	1200 x 300Size	300 x 300Size	Module
Part No.	KPL 0605	KPL 0312	KPL 0303	-
Brightness(1M)	1196 lx	910 lx	600 lx	620 lx
Lumens	3170 lm	3170 lm	820 lm	850 lm
Efficiency	64 lm / W	63 lm / W	63 lm / W	63 lm / W
Color Temp.(K)	6,500° (White)	6,500° (White)	6,500° (White)	6,500° (White)
Input Power	100~240VAC 50 / 60Hz to SMPS	100~240VAC 50 / 60Hz to SMPS	100~240VAC 50 / 60Hz to SMPS	100~240VAC 50 / 60Hz to SMPS
Driving Current	0.36	0.36	0.36	0.36
Driving Voltage	40VDC	40VDC	40VDC	40VDC
Power Consumption	50W	50W	13W	13W
Control system	Constant current	Constant current	Constant current	Constant current
Base	AL, PC	AL, PC	-	-
Operation Temp.	-20~60°C	-20~60°C	-20~60°C	-20~60°C
Storage Temp.	-40~80°C	-40~80°C	-40~80°C	-40~80°C
Life Time	50,000Hrs	50,00Hrs	50,000Hrs	50,000Hrs
Ra.	70 CRI over	70 CRI over	70 CRI over	70 CRI over
Protection Rating	Indoor	Indoor	Indoor	Indoor
Lighting Area	120°	120°	120°	120°

Dimension / Unit:mm



Module



PANEL LIGHTING